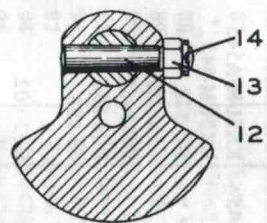
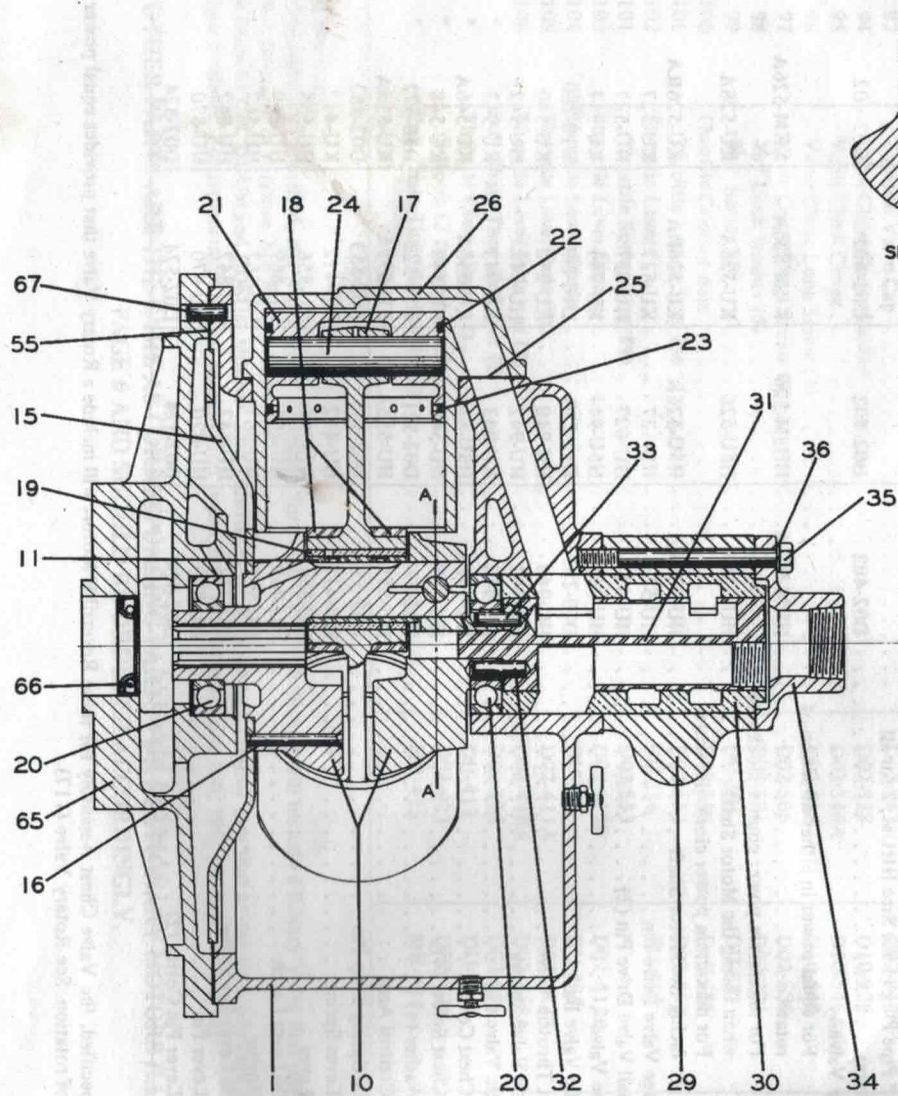
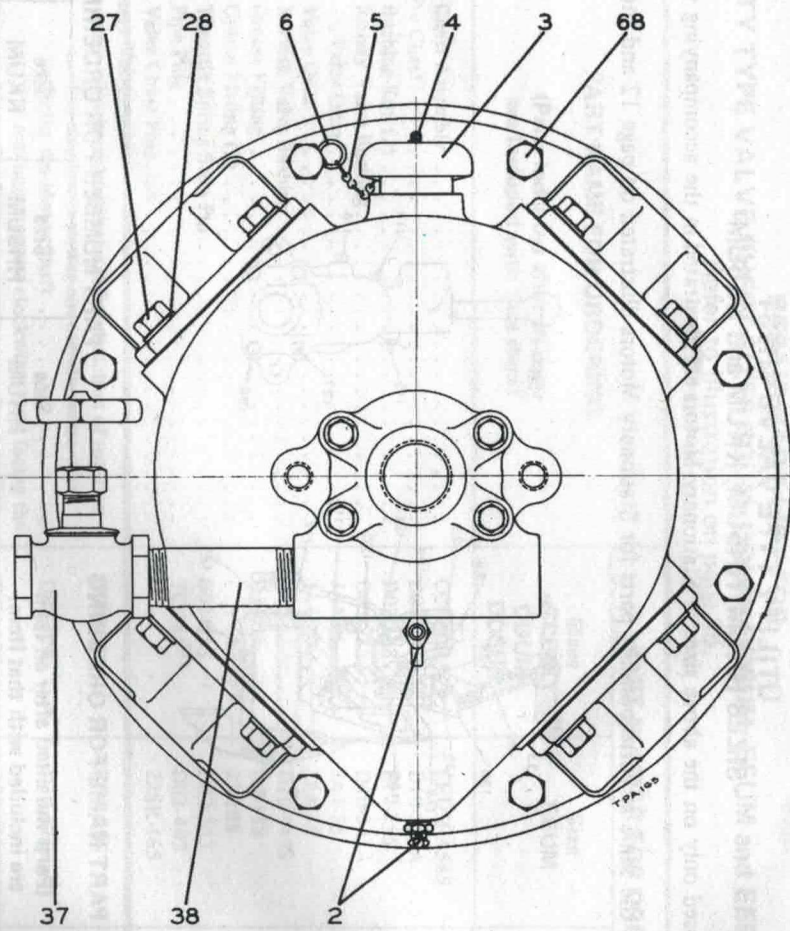


18



SECTION A-A



Series 56 Flange-Mounted Motor