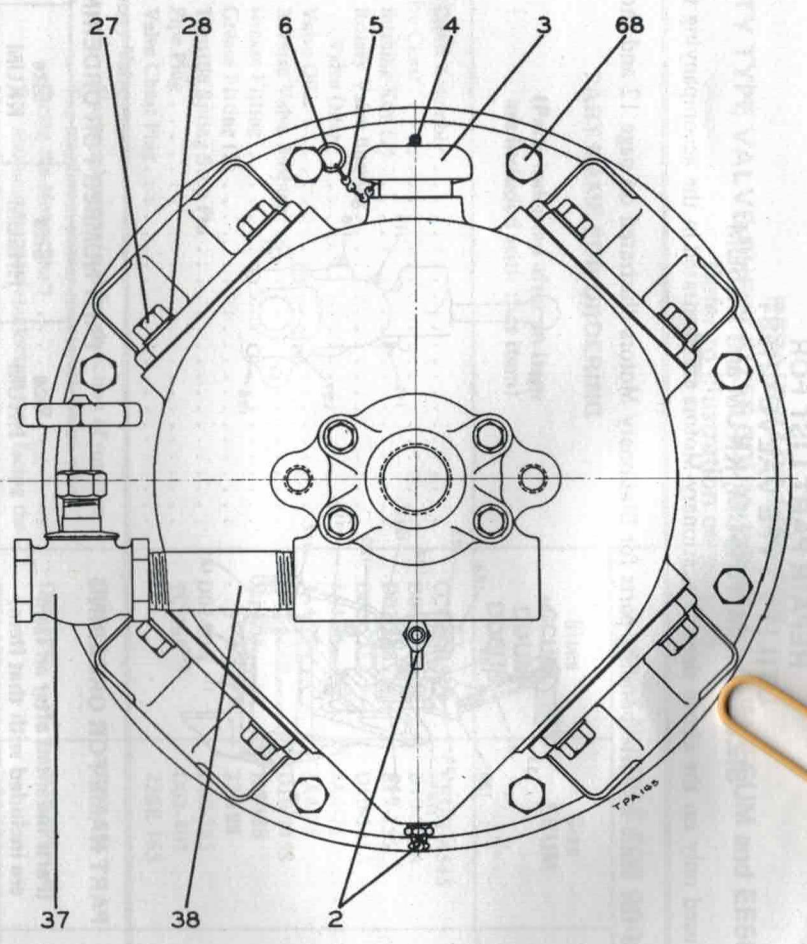
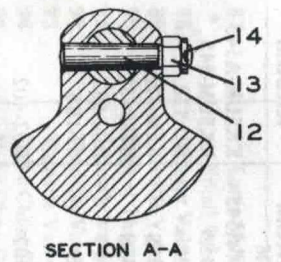
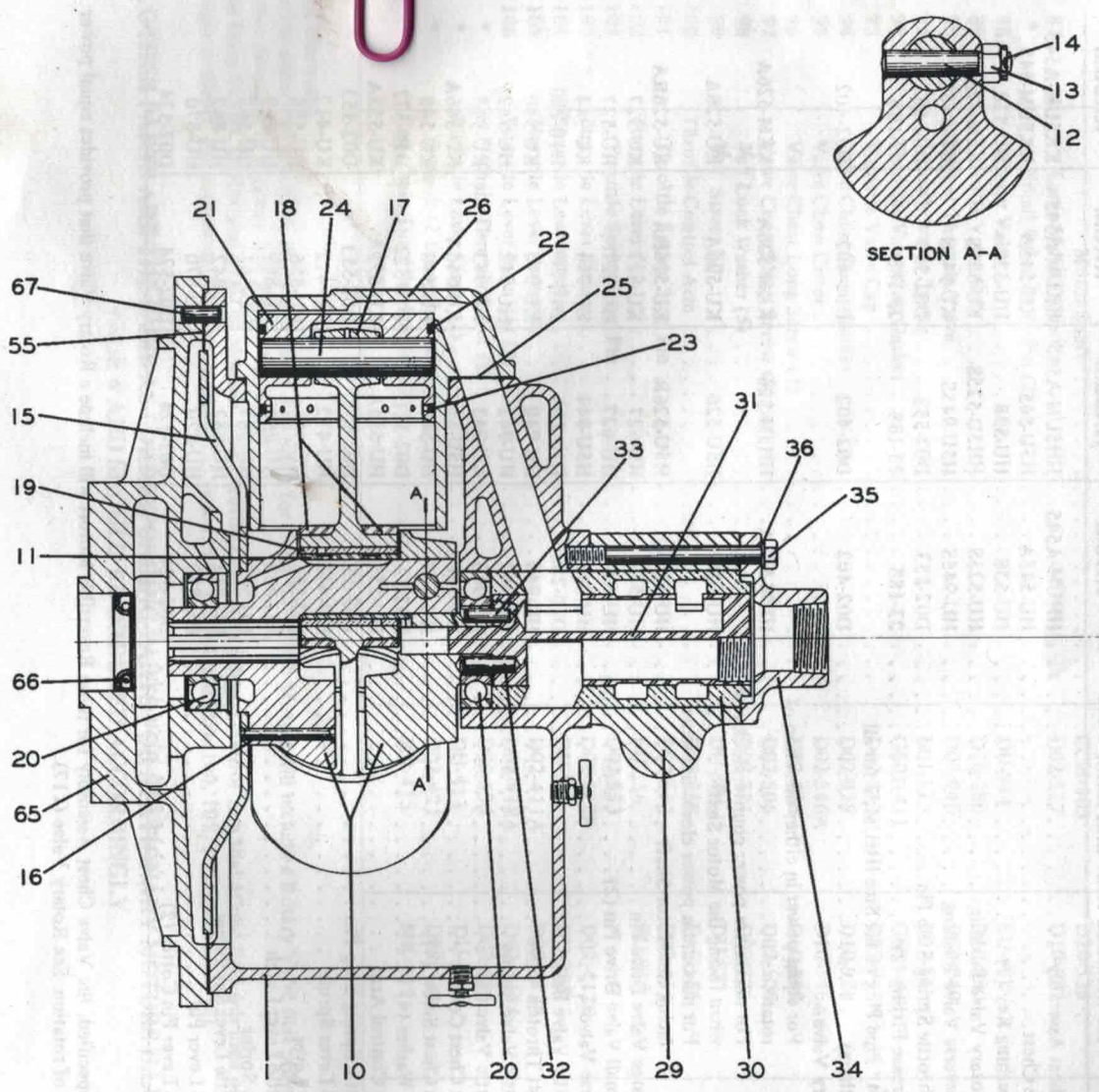
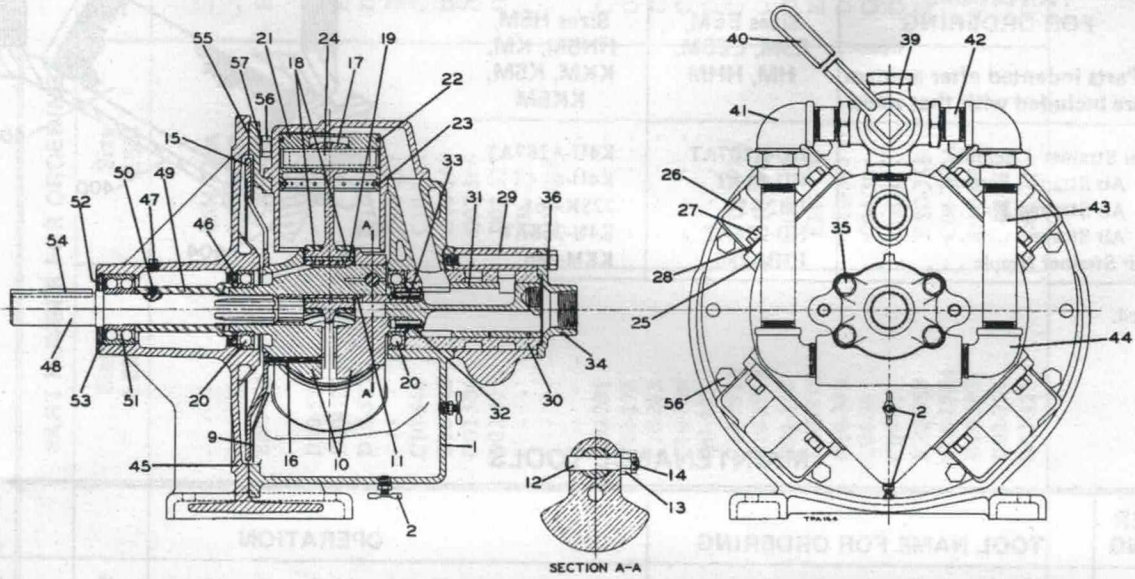
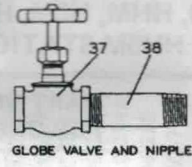
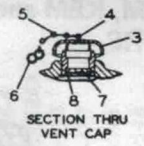


18



Series 56 Flange-Mounted Motor

TPA 105



5M STATIONARY MOTORS (Cont'd)
 Page 6

- 21 Piston Assembly (1 for each cylinder)
- 22 Piston Ring (1 for each Piston)
- 23 Oil Regulating Piston Ring (1 for each Piston)
- 24 Retaining Ring (2 for each Piston)

* Not illustrated
 † Use distributed on DSM and RSM's, will require if required for other Motors